

PLEASE CHECK WWW.MOLEX.COM FOR LATEST PART INFORMATION

Part Number: [0760460003](#)
Status: **Active**
Overview: [sfp_stacked_multiport_connectors](#)
Description: Small Form-factor Pluggable Plus (SFP+) Stacked 2-by-4 Multi-Port Connector with 2 Outer Lightpipe Ports, EMI Metal Gasket, 160 Circuits, Tin (Sn)/Lead(Pb) Tails

Documents:

[3D Model](#) [Product Specification PS-75310-001 \(PDF\)](#)
[Drawing \(PDF\)](#) [RoHS Certificate of Compliance \(PDF\)](#)
[Application Specification \(PDF\)](#)

Agency Certification

CSA LR19980
 UL E29179

General

Product Family I/O Connectors
 Series [76046](#)
 Application Module-to-Board
 Component Type Receptacle
 Overview [sfp_stacked_multiport_connectors](#)
 Product Name SFP Plus
 Type N/A

Physical

Boot Color N/A
 Circuits (Loaded) 160
 Circuits (maximum) 160
 Circuits Detail 160
 Color - Resin Black, Clear (Blue Tint)
 Durability (mating cycles max) 100
 Flammability 94V-0
 Gender Female
 Keying to Mating Part None
 Lock to Mating Part Yes
 Material - Metal High Performance Alloy (HPA)
 Material - Plating Mating Gold
 Material - Plating Termination Tin-Lead
 Material - Resin High Temperature Thermoplastic, Polycarbonate
 Number of Rows 2
 Orientation Right Angle
 PC Tail Length (in) 0.081 In
 PC Tail Length (mm) 2.07 mm
 PCB Locator Yes
 PCB Retention Yes
 PCB Thickness Recommended (in) 0.062 In
 PCB Thickness Recommended (mm) 1.57 mm
 Packaging Type Tray
 Panel Mount No
 Pitch - Mating Interface (in) 0.031 In
 Pitch - Mating Interface (mm) 0.80 mm
 Pitch - Term. Interface (in) 0.031 In
 Pitch - Term. Interface (mm) 0.80 mm
 Plating min: Mating (µin) 30.4
 Plating min: Mating (µm) 0.76
 Plating min: Termination (µin) 30.4

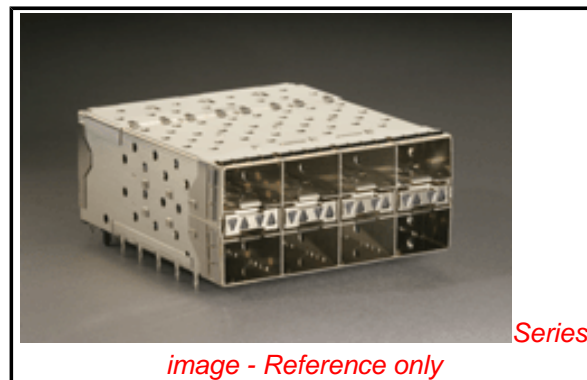


image - Reference only

EU RoHS

RoHS Compliant by Exemption

REACH SVHC

Not Reviewed

Halogen-Free

Status

Halogen-Free

Need more information on product environmental compliance?

Email productcompliance@molex.com
 For a multiple part number RoHS Certificate of Compliance, [click here](#)

Please visit the [Contact Us](#) section for any non-product compliance questions.

China RoHS



Pb

Search Parts in this Series

[76046Series](#)

Use With

[0759510999 SFP Dust Plug](#),

Application Tooling | FAQ

Tooling specifications and manuals are found by selecting the products below. Crimp Height Specifications are then contained in the Application Tooling Specification document.

Global

Description	Product #
SFP Stacked Multi-Port Insertion Tool, 2 by 4	0622029920
SFP Stacked Multi-Port Extraction Tool, 2 by 4	0622029940

Plating min: Termination (µm)	0.76
Polarized to Mating Part	Yes
Polarized to PCB	Yes
Surface Mount Compatible (SMC)	No
Temperature Range - Operating	-40°C to +85°C
Termination Interface: Style	Through Hole - Compliant Pin
Waterproof / Dustproof	No

Electrical

Current - Maximum per Contact	0.5A
Grounding to Panel	None
Shield Type	EMI Gasket
Shielded	Yes
Voltage - Maximum	120V AC (RMS)/DC

Material Info

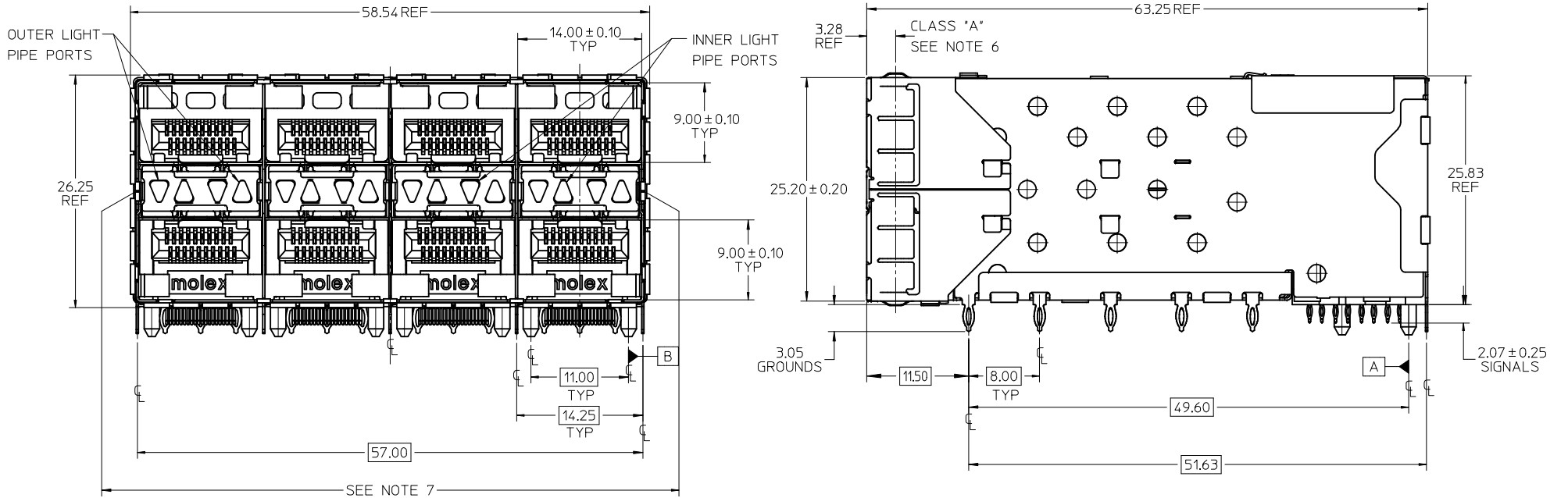
Reference - Drawing Numbers

Application Specification	AS-75310-001, AS-76090-001
Packaging Specification	PK-75450-001
Product Specification	PS-75310-001
Sales Drawing	SD-76046-001
Test Summary	TS-75310-001

This document was generated on 05/27/2010

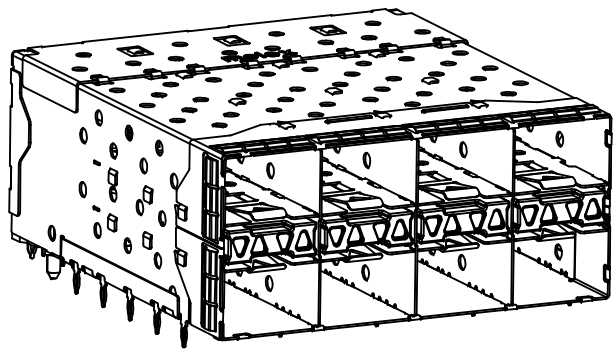
PLEASE CHECK WWW.MOLEX.COM FOR LATEST PART INFORMATION

PART NUMBER	DESCRIPTION	VIEW	COMPLIANT TAIL PLATING
760460001	4 LIGHT PORTS	SEE PG 2	TIN / LEAD
760460002	INNER 2 PORTS	SEE PG 2	TIN / LEAD
760460003	OUTER 2 PORTS	SEE PG 2	TIN / LEAD
760465001	4 LIGHT PORTS	SEE PG 2	TIN
760465002	INNER 2 PORTS	SEE PG 2	TIN
760465003	OUTER 2 PORTS	SEE PG 2	TIN

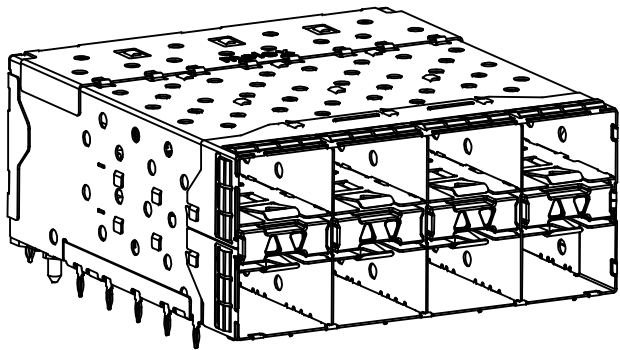


- NOTES:
- MATERIAL:
 - CAGE: NICKEL SILVER, THICKNESS: 0.25mm
 - EMI GASKET: PHOS-BRONZE
 - CONNECTOR HOUSING: GLASS FILLED HIGH TEMP PLASTIC, 94 V-0, COLOR: BLACK
 - OVERMOLDED TERMINAL HOUSING: GLASS FILLED HIGH TEMP PLASTIC, 94 V-0, COLOR: BLACK
 - TERMINALS: TIN BRASS
 - LIGHT PIPES: POLYCARBONATE, 94 V-0, COLOR: CLEAR
 - LIGHT PIPE HOUSING: ZINC
 - FINISH:
 - LIGHT PIPE HOUSING: 150 MICRONS NICKEL OVER 150 MICRONS COPPER
 - TERMINALS: CONTACT AREA: 0.76 MICROS MIN. HARD GOLD OVER 1.27 MICRONS NICKEL.
 - COMPLIANT TAIL - TIN/LEAD OPTION: 0.76 - 1.52 MICRONS 90/10 TIN/LEAD OVER 0.76 - 1.52 MICRONS NICKEL
 - COMPLIANT TAIL - TIN OPTION: 0.76 - 1.52 MICRONS TIN OVER 0.76 - 1.52 MICRONS NICKEL
 - EMI GASKET: 2.54 MICRONS NICKEL OVERALL
 - REFER TO PS-75310-001 PRODUCT SPEC FOR ALL ELECTRICAL, MECHANICAL AND ENVIRONMENTAL SPECIFICATIONS.
 - LIGHT PIPE PAD LAYOUT IS FOR 0805 LOW-PROFILE LED PACKAGE, FOR OTHER RECOMMENDED LAYOUTS REFER TO MOLEX'S REPORT TS-75310-001.
 - REFER TO PK-75450-001 FOR ALL PACKAGING SPECIFICATIONS.
 - ALL EXTERIOR SURFACES TO BE CLASS 'B' SURFACE EXCEPT THE UNDER SIDE OF THE CAGE WHERE THE PCB WOULD BE LOCATED AND AS NOTED. THE SURFACES TO CONFORM TO THE MOLEX COSMETIC DOC PS-45499-002.
 - THE OVERALL CAGE WIDTH AT THE VERTICAL CENTER OF THE FRONT EDGE WILL FALL WITHIN THIS DIMENSION: 57.80 ± 0.30 MM. THIS PORTION OF THE CAGE WILL FLEX INWARD AS THE CAGE IS BEING INSERTED INTO THE BEZEL OPENING.

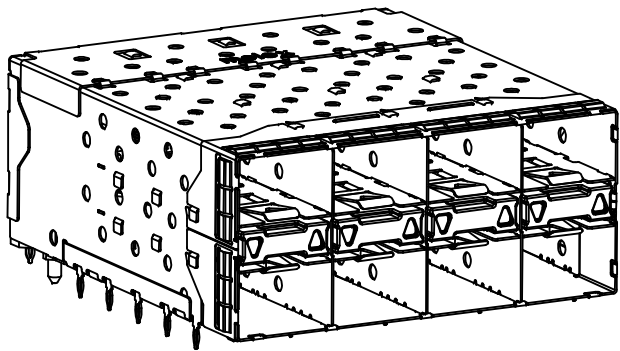
ADD NOTE 7/KEEPOUTS EC NO: UCP2009-1582 DR: WMS IBARRA 2009/01/07 CHK: DBARKER 2009/01/09 APPR: SWILLER 2009/01/12	QUALITY SYMBOLS ▽=0 ▽=0	GENERAL TOLERANCES (UNLESS SPECIFIED)		DIMENSION STYLE MM ONLY		SCALE 3:1	DESIGN UNITS METRIC	THIRD ANGLE PROJECTION																																				
		<table border="1"> <thead> <tr> <th></th> <th>mm</th> <th>INCH</th> </tr> </thead> <tbody> <tr> <td>4 PLACES</td> <td>± 0.13</td> <td>± 0.005</td> </tr> <tr> <td>3 PLACES</td> <td>± 0.25</td> <td>± 0.010</td> </tr> <tr> <td>2 PLACES</td> <td>± 0.38</td> <td>± 0.015</td> </tr> <tr> <td>1 PLACE</td> <td>± 0.51</td> <td>± 0.020</td> </tr> </tbody> </table>			mm	INCH	4 PLACES	± 0.13	± 0.005	3 PLACES	± 0.25	± 0.010	2 PLACES	± 0.38	± 0.015	1 PLACE	± 0.51	± 0.020	<table border="1"> <thead> <tr> <th>DRAWN BY</th> <th>DATE</th> </tr> </thead> <tbody> <tr> <td>MSANDBERG</td> <td>1-26-2006</td> </tr> <tr> <th>CHECKED BY</th> <th>DATE</th> </tr> <tr> <td>JLONG</td> <td>1-26-2006</td> </tr> <tr> <th>APPROVED BY</th> <th>DATE</th> </tr> <tr> <td>RNELSON</td> <td>1-26-2006</td> </tr> </tbody> </table>		DRAWN BY	DATE	MSANDBERG	1-26-2006	CHECKED BY	DATE	JLONG	1-26-2006	APPROVED BY	DATE	RNELSON	1-26-2006	<table border="1"> <tr> <td colspan="2"> STACKED SFP+ 2X4 ASS'Y WITH METAL EMI GASKET AND LIGHTPIPES </td> </tr> <tr> <td colspan="2"> MOLEX INCORPORATED </td> </tr> <tr> <td> MATERIAL NO. SEE TABLE </td> <td> DOCUMENT NO. SD-76046-001 </td> </tr> <tr> <td colspan="2"> SHEET NO. 1 OF 4 </td> </tr> </table>				STACKED SFP+ 2X4 ASS'Y WITH METAL EMI GASKET AND LIGHTPIPES		MOLEX INCORPORATED		MATERIAL NO. SEE TABLE	DOCUMENT NO. SD-76046-001	SHEET NO. 1 OF 4	
			mm	INCH																																								
		4 PLACES	± 0.13	± 0.005																																								
3 PLACES	± 0.25	± 0.010																																										
2 PLACES	± 0.38	± 0.015																																										
1 PLACE	± 0.51	± 0.020																																										
DRAWN BY	DATE																																											
MSANDBERG	1-26-2006																																											
CHECKED BY	DATE																																											
JLONG	1-26-2006																																											
APPROVED BY	DATE																																											
RNELSON	1-26-2006																																											
STACKED SFP+ 2X4 ASS'Y WITH METAL EMI GASKET AND LIGHTPIPES																																												
MOLEX INCORPORATED																																												
MATERIAL NO. SEE TABLE	DOCUMENT NO. SD-76046-001																																											
SHEET NO. 1 OF 4																																												
DRAFT WHERE APPLICABLE MUST REMAIN WITHIN DIMENSIONS		SIZE C		THIS DRAWING CONTAINS INFORMATION THAT IS PROPRIETARY TO MOLEX INCORPORATED AND SHOULD NOT BE USED WITHOUT WRITTEN PERMISSION																																								



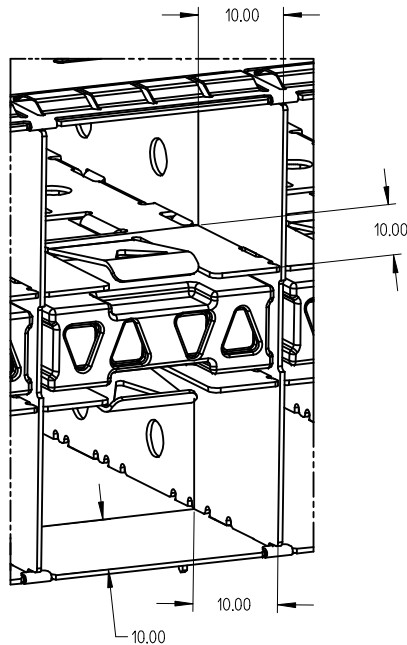
760460001 AND 760465001
WITH INNER AND OUTER LIGHT PIPES



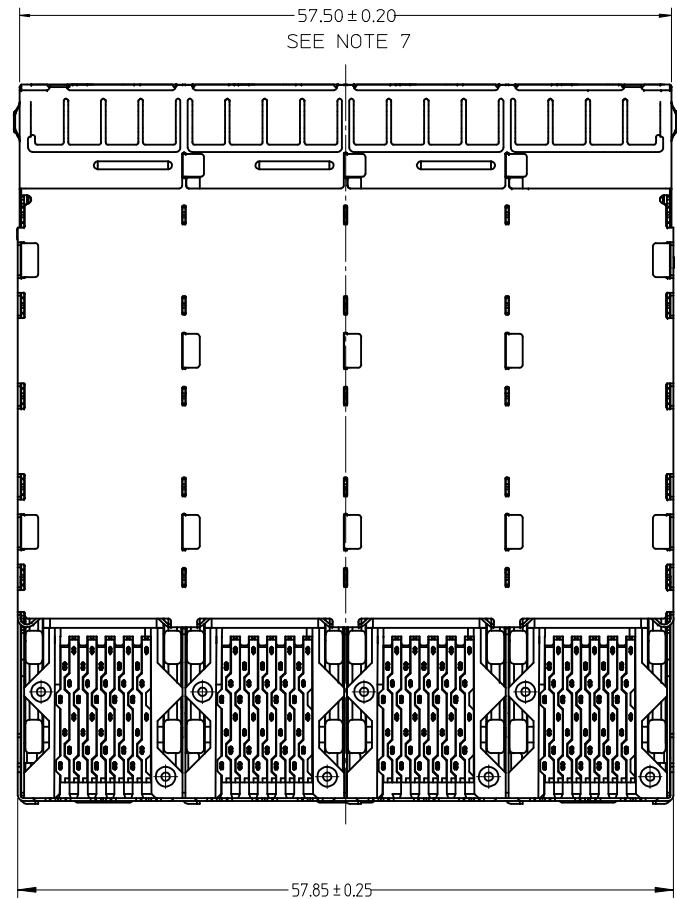
760460002 AND 760465002
WITH INNER LIGHT PIPES



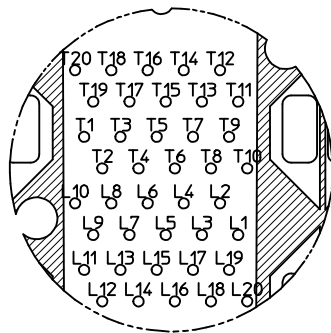
760460003 AND 760465003
WITH OUTER LIGHT PIPES



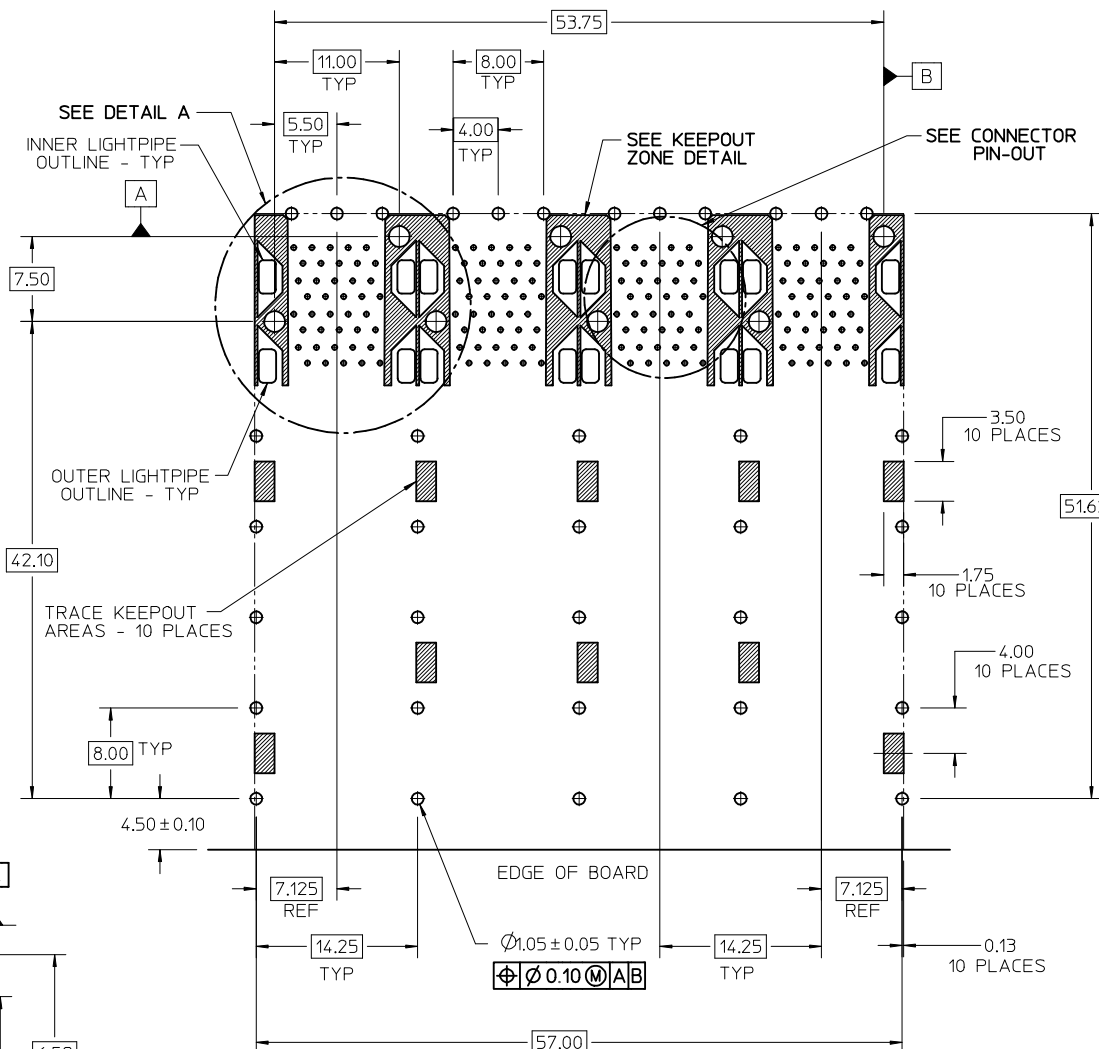
10.00mm AREA SETBACK IN CAGE IS TO BE FREE OF ANY HOLES, DIMPLES, SEAMS OR ANY OTHER FEATURE.
(4 SIDES PER MODULE PORT)



SEE SHEET 1 EC NO: UCP2009-1582 DRWN:MSI BARRA 2009/01/07 CHKD:BBARKER 2009/01/09 APPR:SMILLER 2009/01/12	QUALITY SYMBOLS ▽=0 ▽=0	GENERAL TOLERANCES (UNLESS SPECIFIED) mm INCH 4 PLACES ± --- ± --- 3 PLACES ± --- ± --- 2 PLACES ± 0.13 ± --- 1 PLACE ± 0.25 ± --- ANGULAR ± 5 °	DIMENSION STYLE MM ONLY	SCALE 3:1	DESIGN UNITS METRIC	THIRD ANGLE PROJECTION	
	DRAWN BY MSANDBERG	DATE 1-26-2006	CHECKED BY JLONG	DATE 1-26-2006	TITLE STACKED SFP+ 2X4 ASS'Y WITH METAL EMI GASKET AND LIGHTPIPES		
	APPROVED BY RNELSON	DATE 1-26-2006	MOLEX INCORPORATED			SHEET NO. 2 OF 4	
	DRAFT WHERE APPLICABLE MUST REMAIN WITHIN DIMENSIONS		MATERIAL NO. SEE TABLE	DOCUMENT NO. SD-76046-001	THIS DRAWING CONTAINS INFORMATION THAT IS PROPRIETARY TO MOLEX INCORPORATED AND SHOULD NOT BE USED WITHOUT WRITTEN PERMISSION		

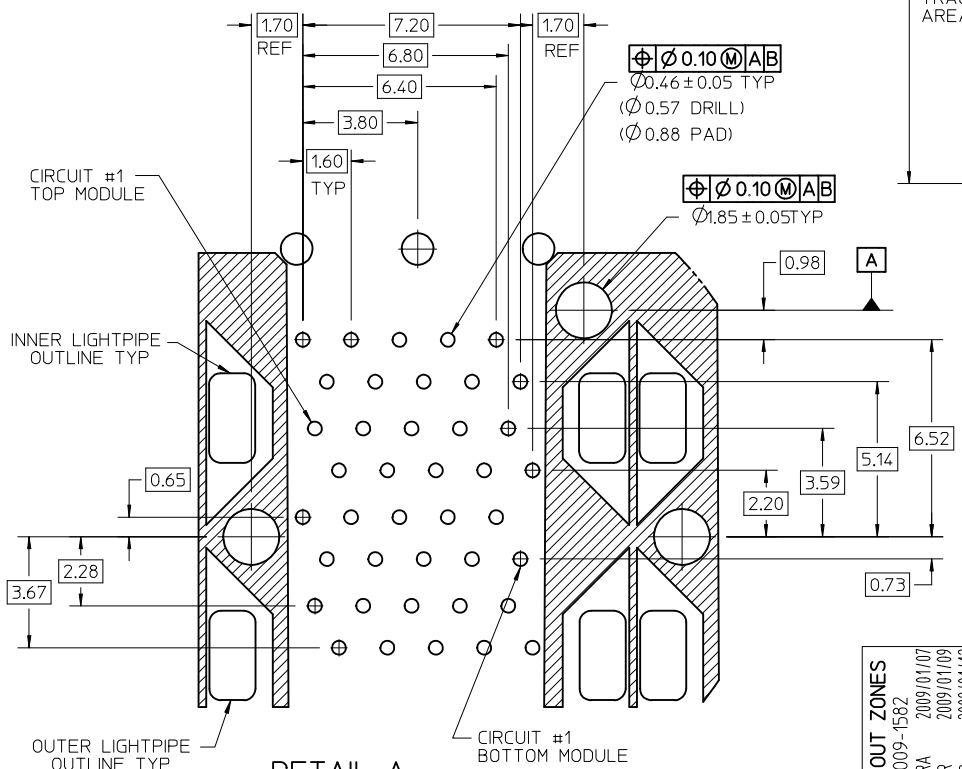


CONNECTOR PIN-OUT
COMPONENT SIDE OF BOARD



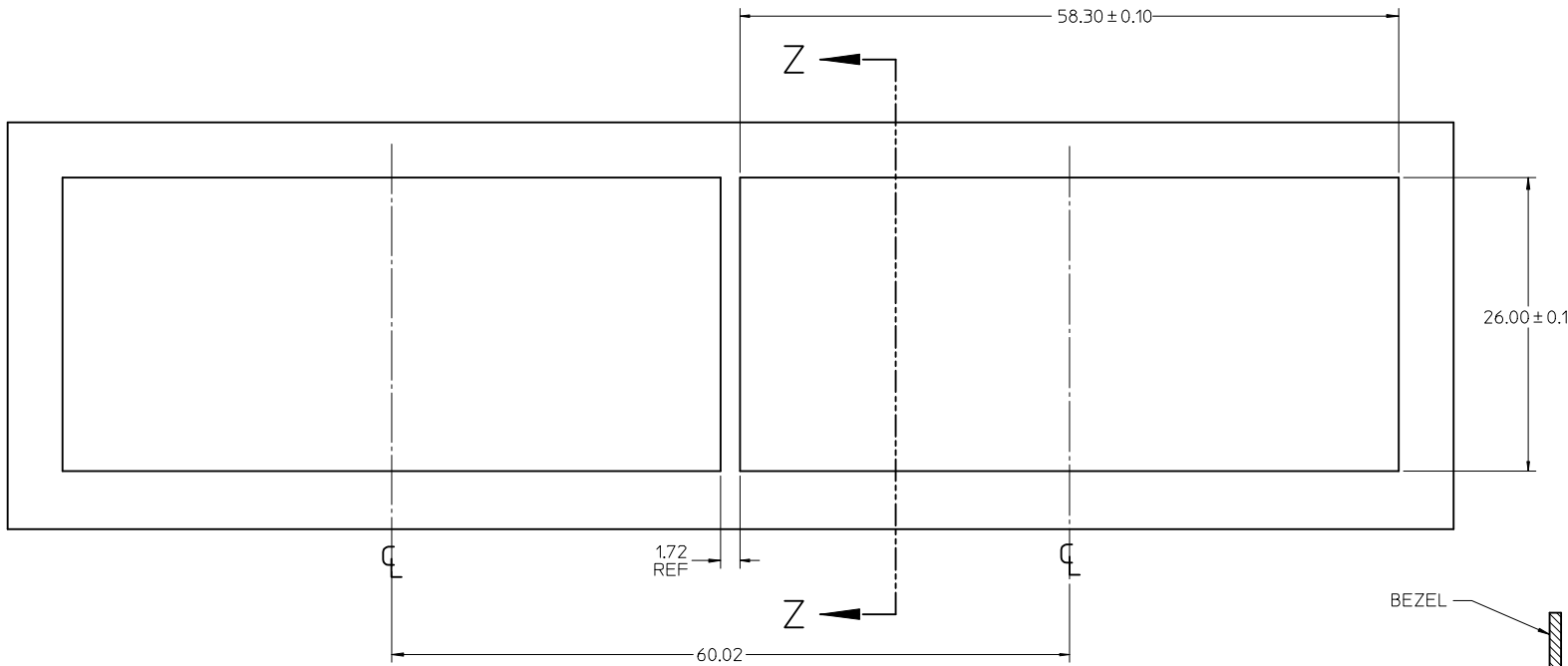
RECOMMENDED PCB LAYOUT - COMPONENT SIDE
RECOMMENDED PCB THICKNESS - 2.36 MM (.093 INCH)

THE ENTIRE AREA OF THE CONNECTOR FOOTPRINT
TO BE CONSIDERED THE KEEP OUT AREA FOR COMPONENTS
(OTHER THAN THE LIGHT PIPE LED'S)
THIS AREA IS INDICATED BY THE DASHED LINE

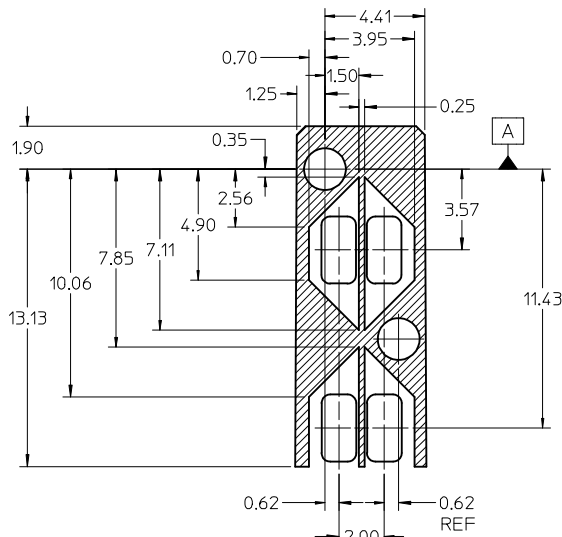


DETAIL A
SCALE 8:1

ADD KEEP OUT ZONES EC NO: UCP2009-1582 DRWINHIS BARRA 2009/01/07 CHKD:BBARKER 2009/01/09 APPR:SMILLER 2009/01/12	QUALITY SYMBOLS ▽=0 ▽=0	GENERAL TOLERANCES (UNLESS SPECIFIED)		DIMENSION STYLE MM ONLY		SCALE 3:1	DESIGN UNITS METRIC	THIRD ANGLE PROJECTION			
		4 PLACES ± --- ± --- 3 PLACES ± --- ± --- 2 PLACES ± 0.13 ± --- 1 PLACE ± 0.25 ± --- ANGULAR ± 5 °	mm INCH ± --- ± --- ± --- ± --- ± --- ± --- ± --- ± ---	DRAWN BY MSANDBERG	DATE 1-26-2006	CHECKED BY JLONG	DATE 1-26-2006	STACKED SFP+ 2X4 ASS'Y WITH METAL EMI GASKET AND LIGHTPIPES			
		APPROVED BY RNELSON		DATE 1-26-2006		MOLEX INCORPORATED					
		DRAFT WHERE APPLICABLE MUST REMAIN WITHIN DIMENSIONS		SEE TABLE				DOCUMENT NO. SD-76046-001		SHEET NO. 3 OF 4	

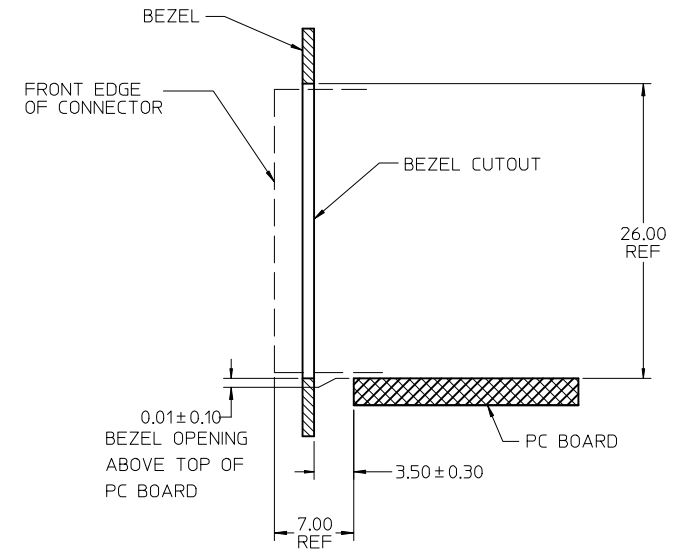


BEZEL CUTOUT CENTER SPACING DETAIL
BEZEL THICKNESS 0.8-2.6



DETAIL - LIGHTPIPE LOCATION AND OTHER ZONES
SCALE 8:1

THE HATCHED AREA IN THIS VIEW INDICATES ZONES THAT ARE OCCUPIED BY THE PLASTIC HOUSING THAT SEATS AGAINST THE PCB AND BY THE VERTICAL METAL CAGE WALL THAT STOPS JUST SHORT OF THE PCB



SECTION Z-Z
SCALE 3:1

SEE SHEET 1 EC NO: UCP2009-1582 DRWING: IBARRA 2009/01/07 CHKD: BBARKER 2009/01/09 APPR: SMILLER 2009/01/12	QUALITY SYMBOLS ▽=0 ▽=0	GENERAL TOLERANCES (UNLESS SPECIFIED)		DIMENSION STYLE MM ONLY		SCALE 3:1	DESIGN UNITS METRIC	THIRD ANGLE PROJECTION	
		4 PLACES ± --- ± ---	3 PLACES ± --- ± ---	2 PLACES ± 0.13 ± ---	1 PLACE ± 0.25 ± ---	DRAWN BY MSANDBERG	DATE 1-26-2006	TITLE STACKED SFP+ 2X4 ASS'Y WITH METAL EMI GASKET AND LIGHTPIPES	
REV	DESCRIPTION	ANGULAR ± 5 °		APPROVED BY RNELSON		DATE 1-26-2006	MOLEX INCORPORATED		
		DRAFT WHERE APPLICABLE MUST REMAIN WITHIN DIMENSIONS		MATERIAL NO. SEE TABLE		DOCUMENT NO. SD-76046-001	SHEET NO. 4 OF 4		
		SIZE C		THIS DRAWING CONTAINS INFORMATION THAT IS PROPRIETARY TO MOLEX INCORPORATED AND SHOULD NOT BE USED WITHOUT WRITTEN PERMISSION					